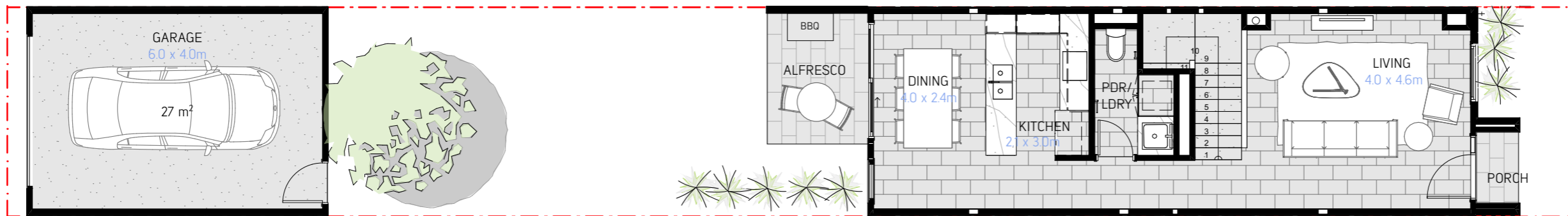
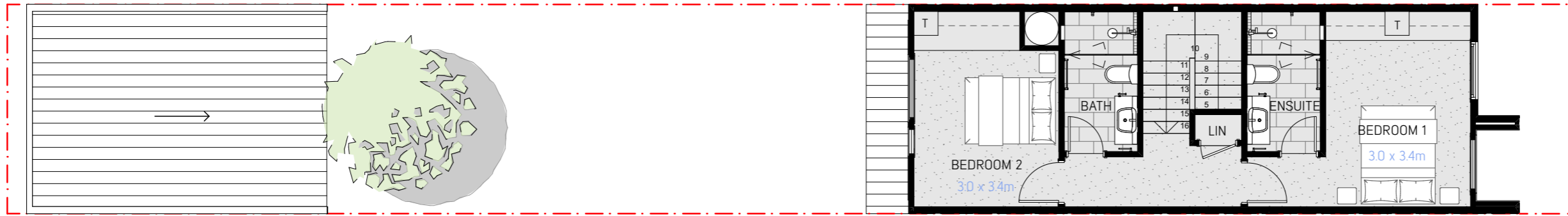


KINLEY

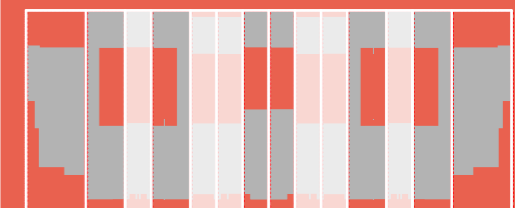
Scout

2 BEDROOMS
1 CAR PARKING SPACE

GROUND FLOOR	55 m ²
FIRST FLOOR	51 m ²
NSA	106 m ²
GARAGE	27 m ²
PORCH	1 m ²
ALFRESCO	5 m ²
GFA	139 m ²



TEMPLAR LANE



Scout

Scout

Scout

Scout



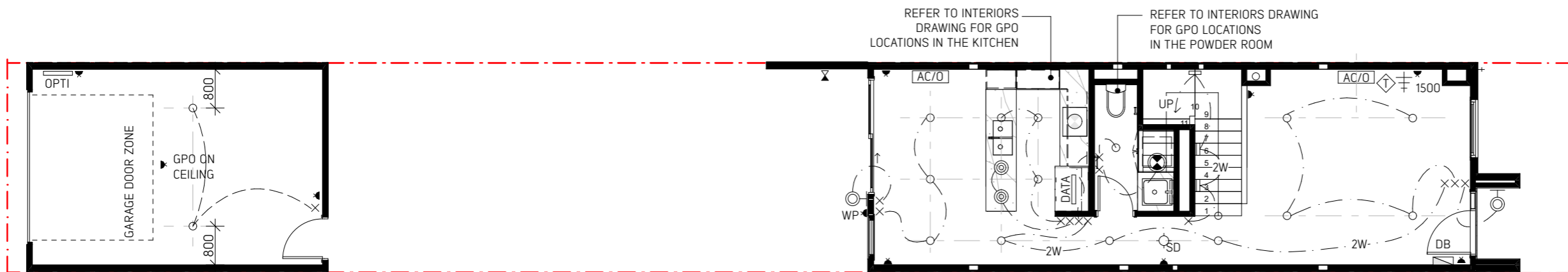
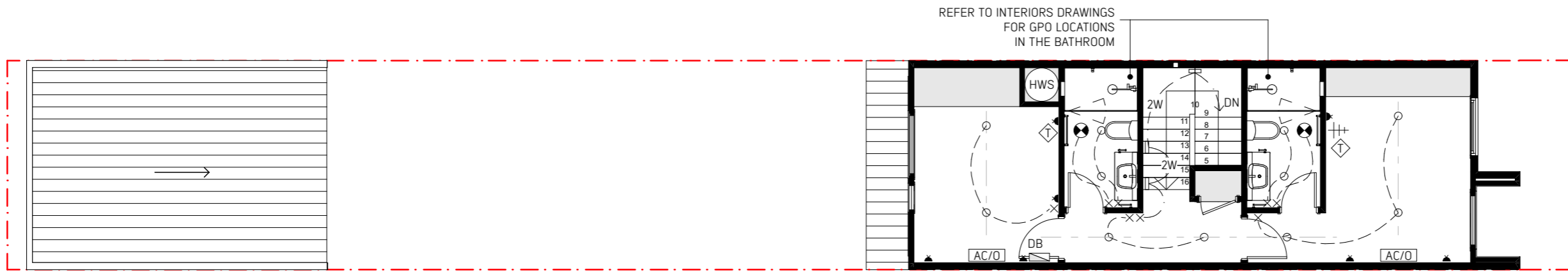
AVANT
TOWNHOMES

INTRAPAC
PROPERTY



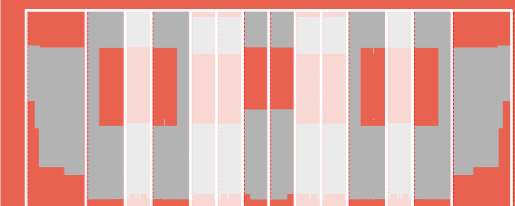
Plans

Scout



- LT-01 LED DOWNLIGHT
○E E - FOR EXTERNAL SOFFITS
- ⊙ LT-02 PENDANT / STRIP LIGHT OVER KITCHEN BENCH
- LT-03 KITCHEN O/HEAD LED.
- LT-04 STAIR LIGHT
- ⊕ LT-05 WALL LIGHT - EXTERNAL
- LT-06 LED DOWNLIGHT - SURFACE MOUNTED FOR HALCYON HOUSE TYPE ONLY
- ⊗ LT-07 LIGHT IN CUPBOARD OR ROOF
- ⊔ LT-08 ROOF DECK LIGHT
- ⊕ TELEVISION POINT
OUTLET TO ALLOW FOR TV ANTENNA AND CABLE TV
- ◇ CAT 6 CABLE POINT
OUTLET TO ALLOW FOR TELEPHONE AND DATA
- SD ○ SMOKE DETECTOR
- ▲ SINGLE GPO ▲ DOUBLE GPO
- × SWITCH ×D SWITCH WITH DIMMER
- 2W 2 WAY SWITCH
- ⊗ CEILING EXHAUST FAN
- ⊗ CEILING EXHAUST FAN + DOWNLIGHT
- ⊗ RANGEHOOD EXHAUST
- ▭ DB DISTRIBUTION BOARD
- ▭ OPTI INTERNET SUPPLY POINT
- ▭ DATA MODEM / ROUTER POINT

TEMPLAR LANE

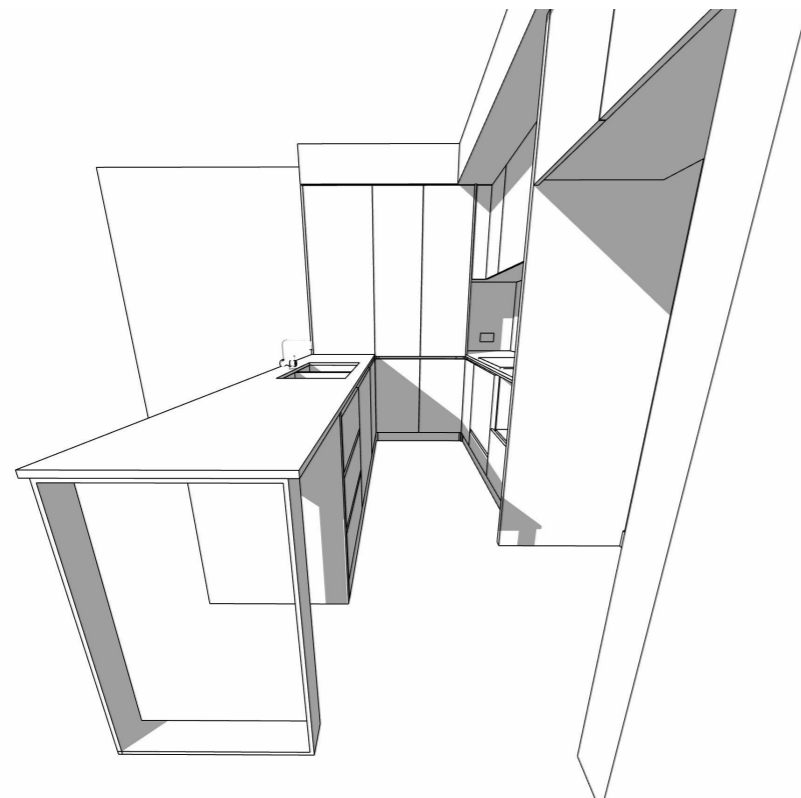


AVANT
TOWNHOMES

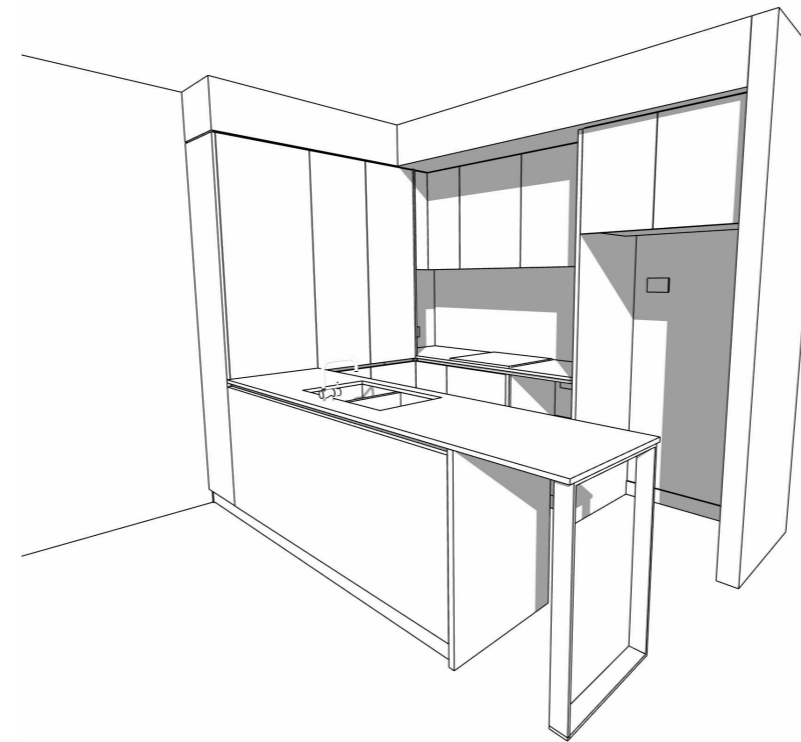
INTRAPAC
PROPERTY



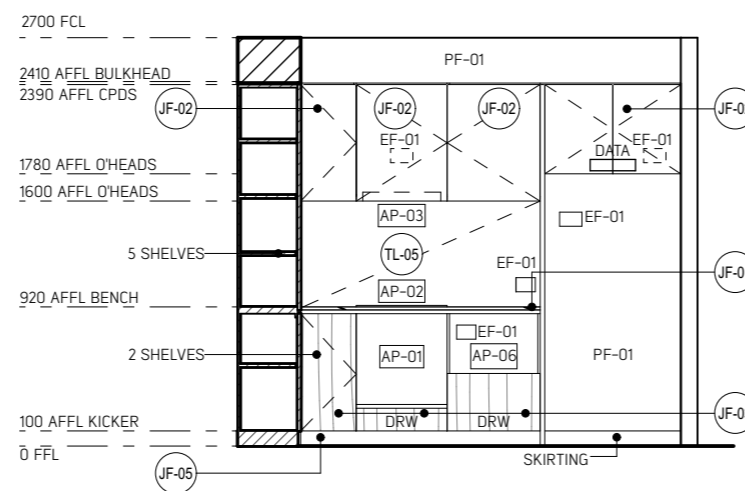
Electrical



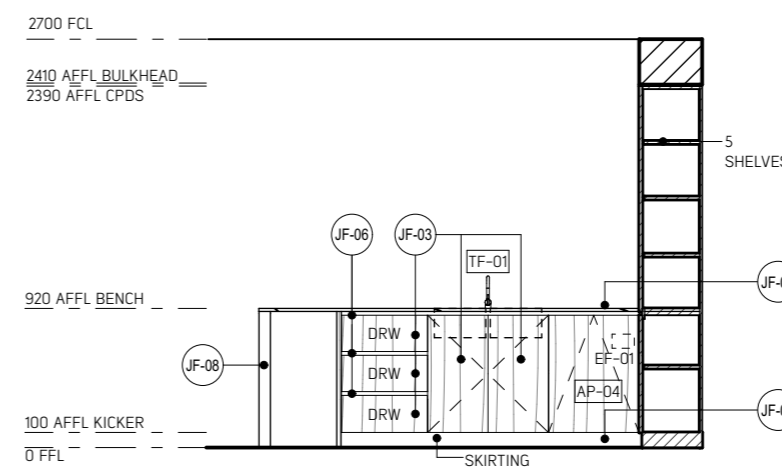
SCOUT 3D VIEW 1



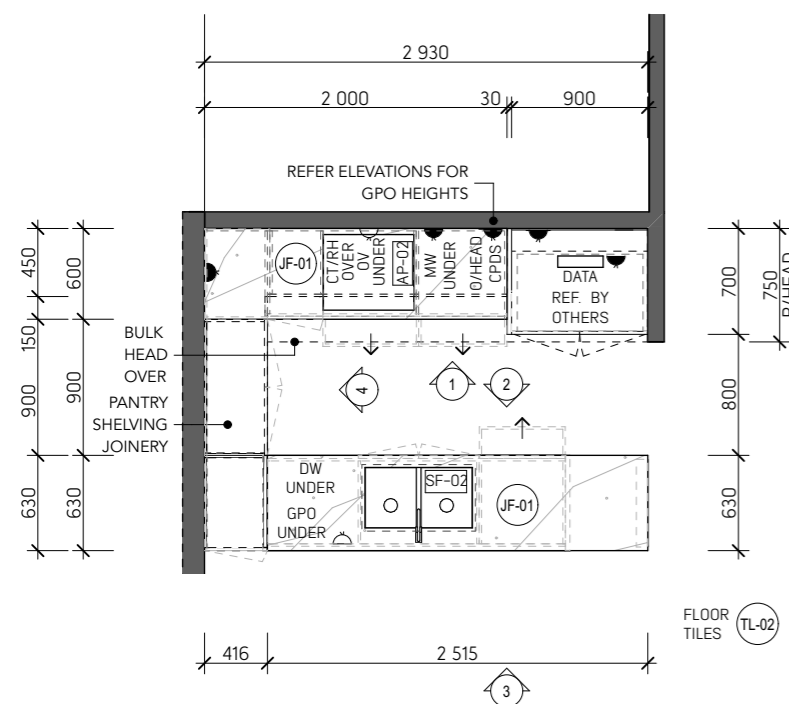
SCOUT 3D VIEW 2



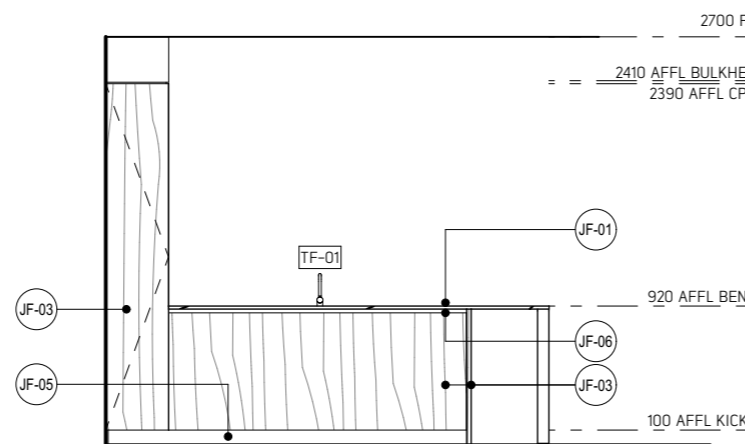
ELEVATION 01 1:50



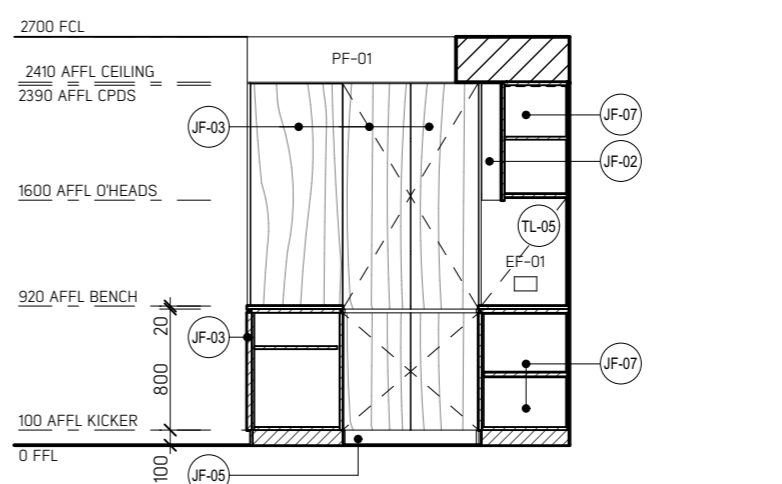
ELEVATION 02 1:50



KITCHEN - SCOUT 1:50

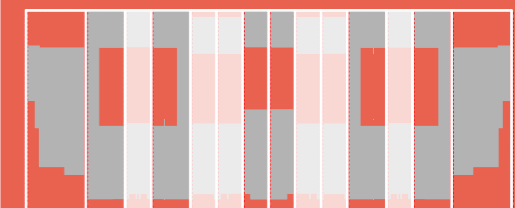


ELEVATION 03 1:50



ELEVATION 04 1:50

TEMPLAR LANE

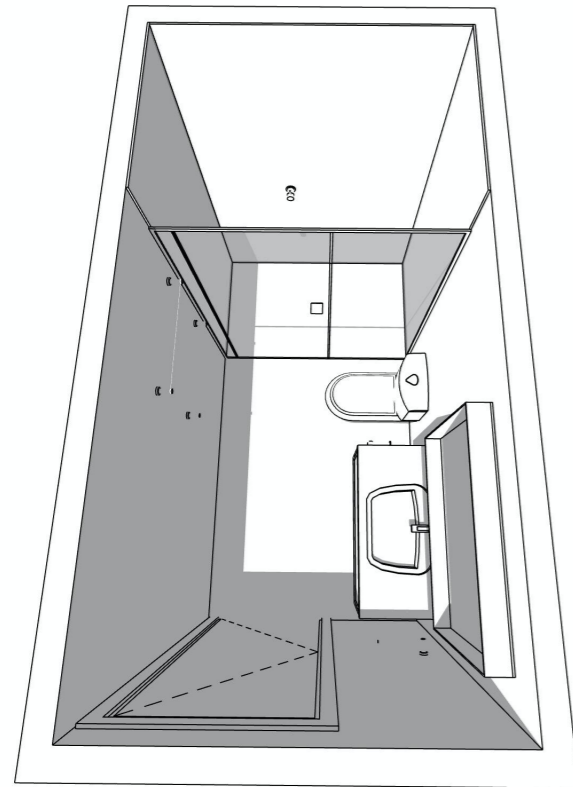


AVANT
TOWNHOMES

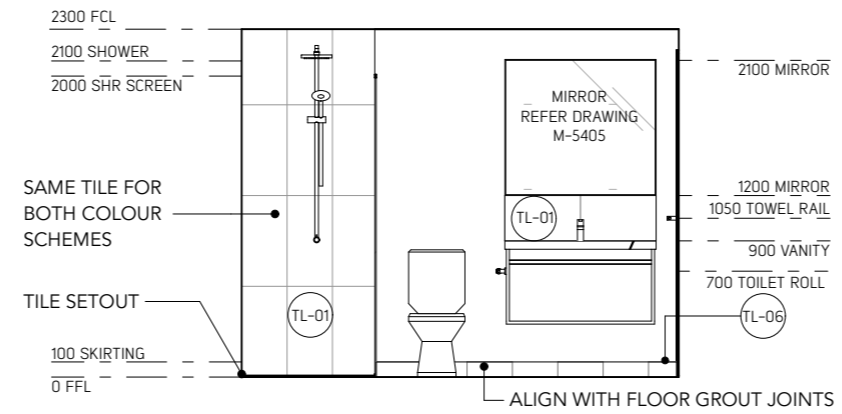
INTRAPAC
PROPERTY



Kitchen

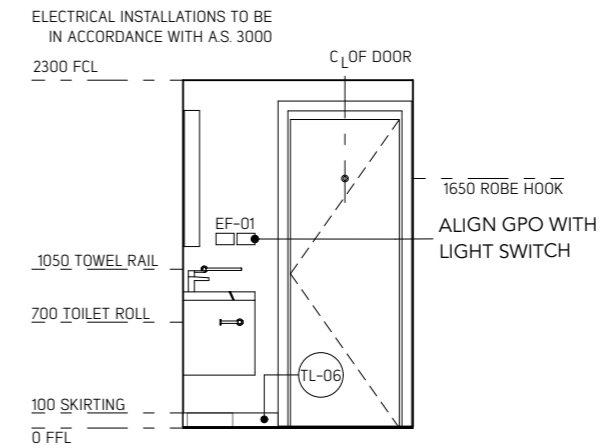


BATHROOM TYPE A2 3D VIEW



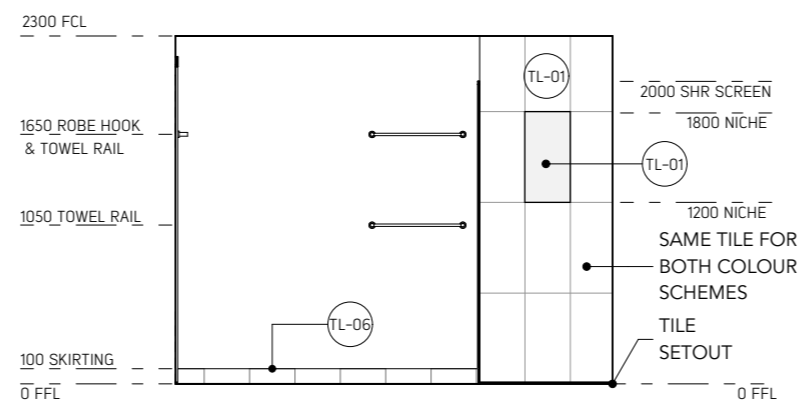
ELEVATION 01

1:50



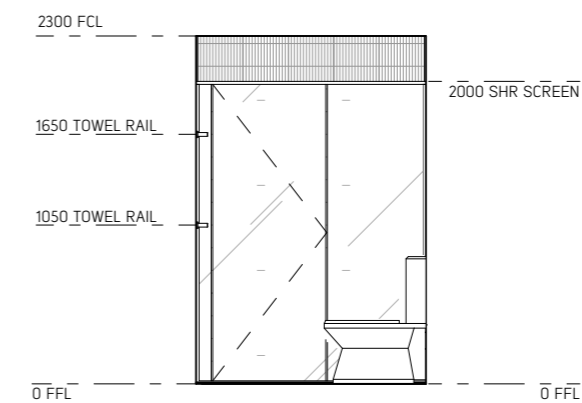
ELEVATION 02

1:50



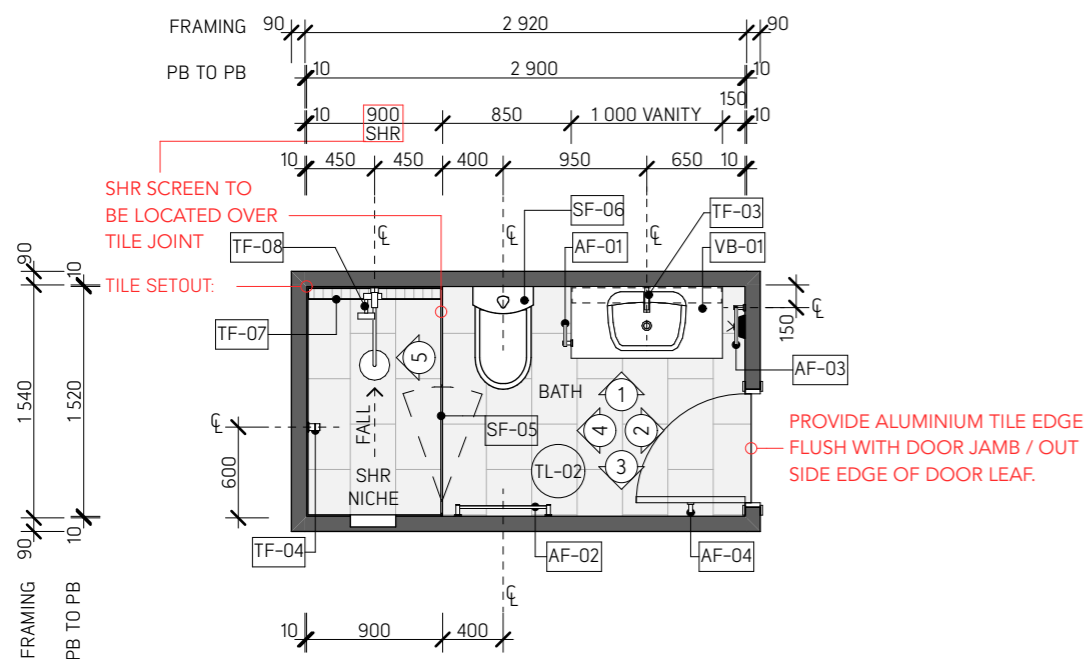
ELEVATION 03

1:50



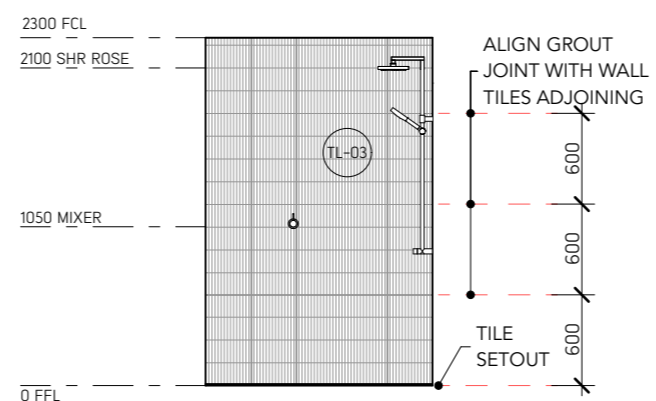
ELEVATION 04

1:50



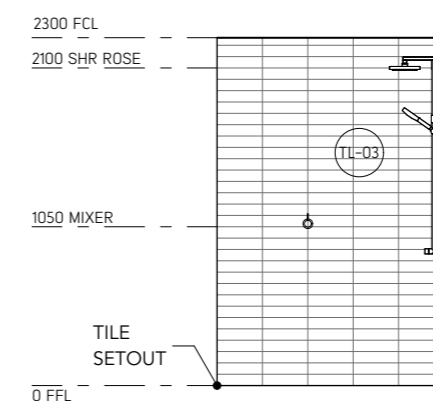
BATHROOM - TYPE A2

1:50



ELEVATION 05 - DARK

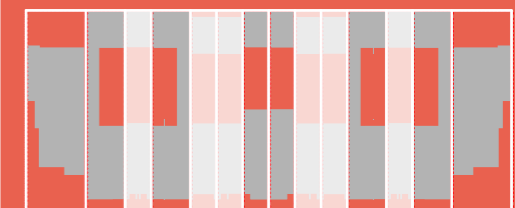
1:50



ELEVATION 05 - LIGHT

1:50

TEMPLAR LANE

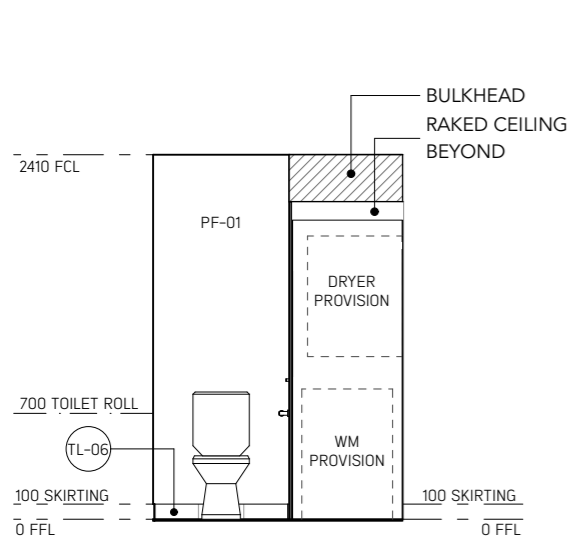


AVANT
TOWNHOMES

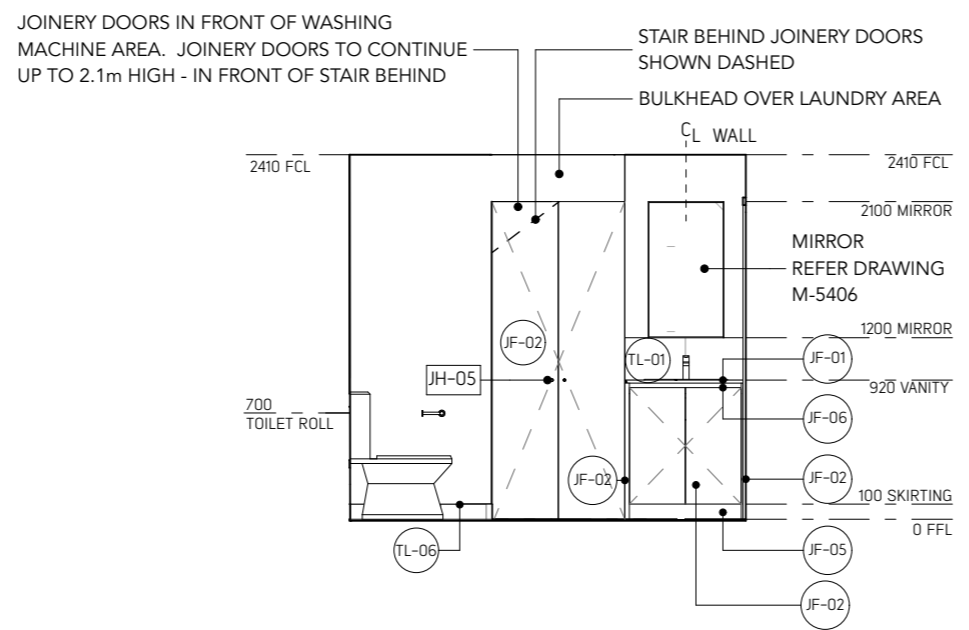
INTRAPAC
PROPERTY



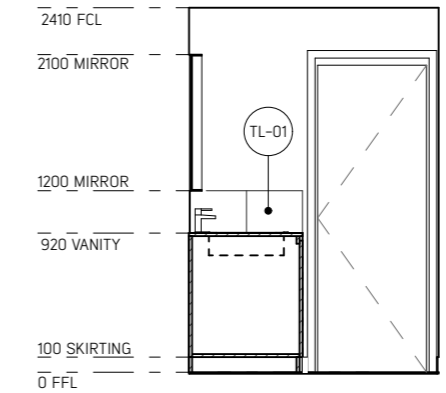
Bathroom



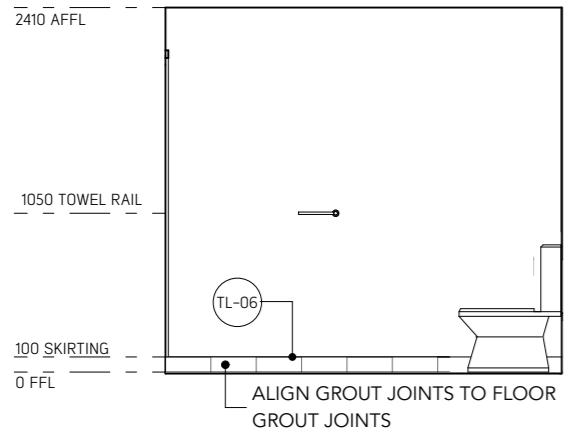
ELEVATION 01 1:50



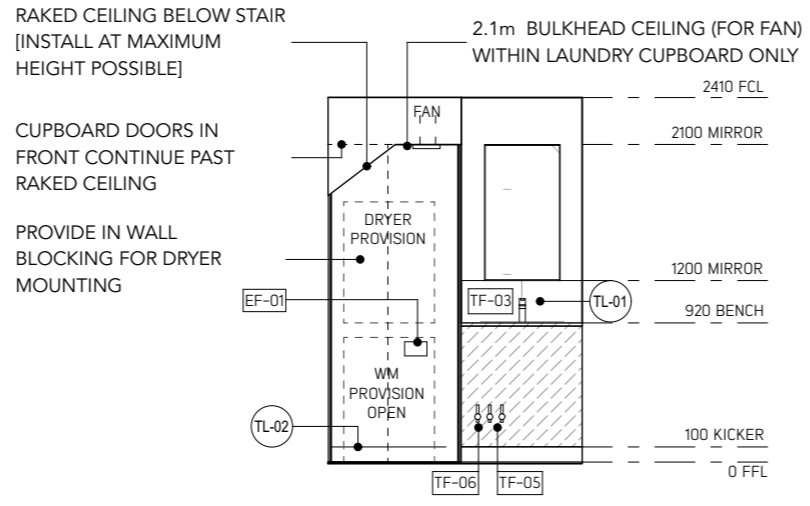
ELEVATION 02 1:50



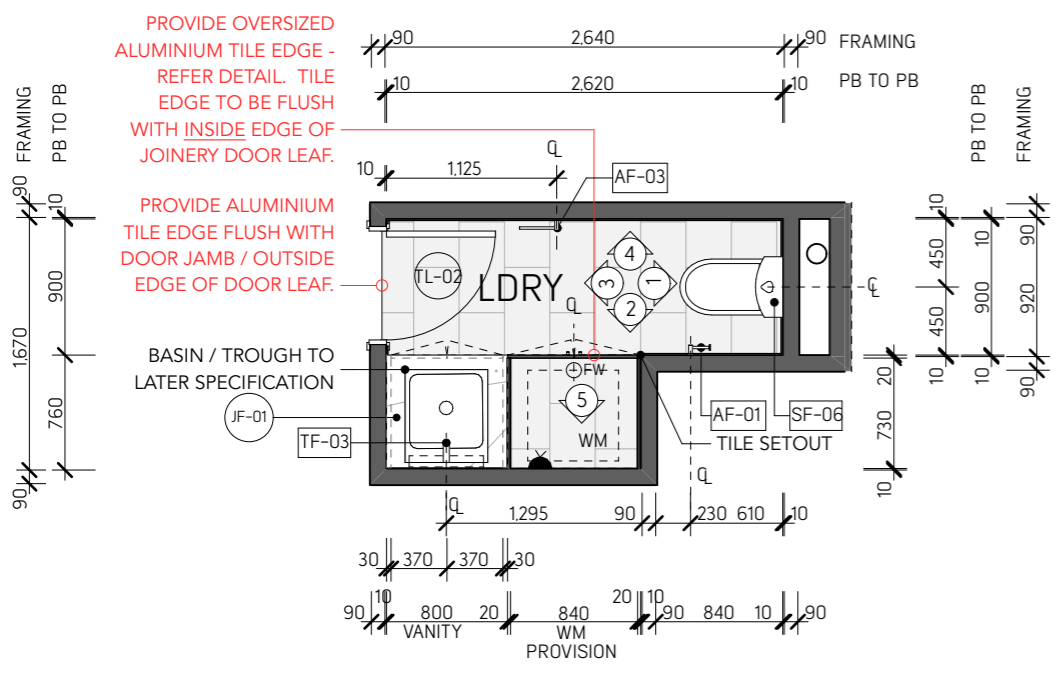
ELEVATION 03 1:50



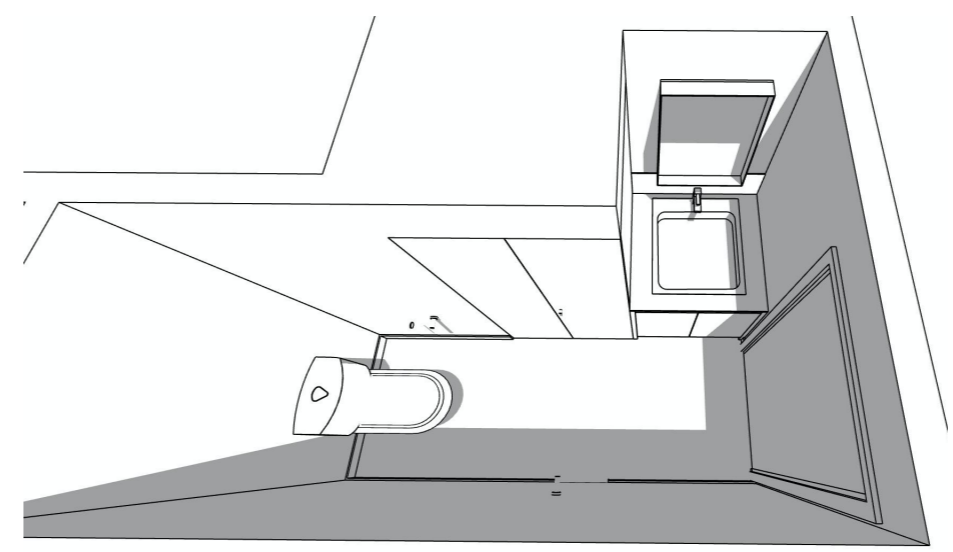
ELEVATION 04 1:50



ELEVATION 05 1:50

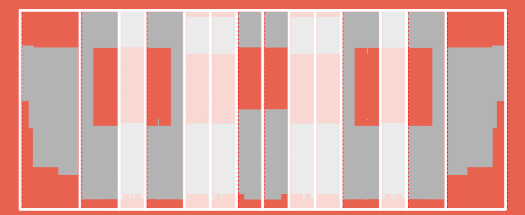


POWDER ROOM LAUNDRY - SCOUT 1:50



POWDER ROOM SCOUT 3D VIEW

TEMPLAR LANE



AVANT TOWNHOMES

INTRAPAC PROPERTY



Powder